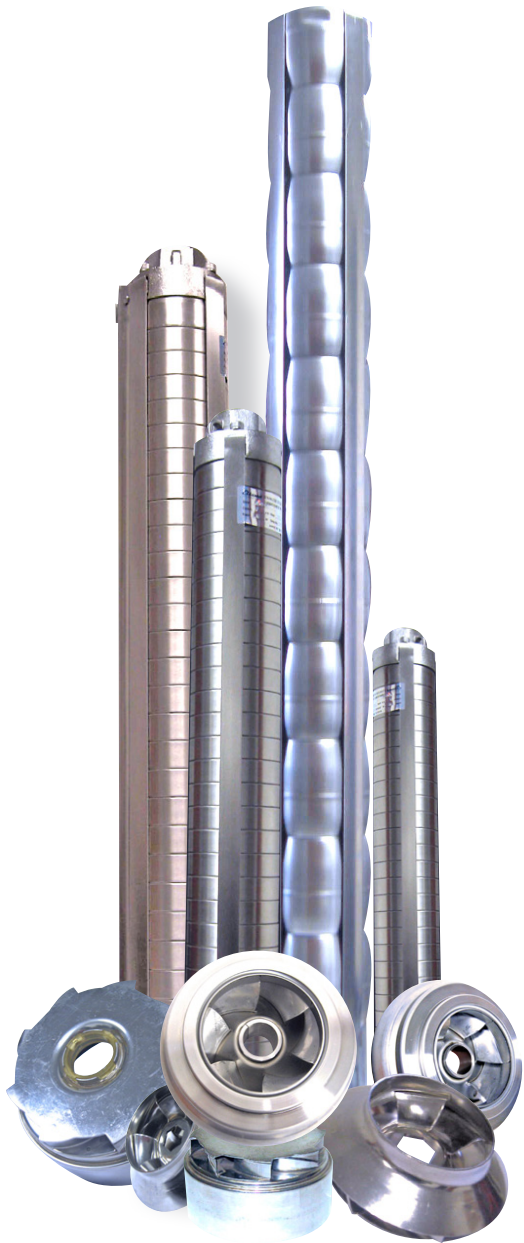




The new generation of RBP pumps have been designed to increase efficiency, life expectancy and to meet the latest market requirements.



## Application

- Raw water supply
- Irrigation systems
- Groundwater lowering
- Pressure boosting
- Industrial applications

## Specifications

- Capacity up to 115m<sup>3</sup>/h
- Heads up to 350 m
- Power up to 75 kW
- 50 Hz, 2 pole
- Standard Voltage 400 V
- Max water temperature 35 °C
- Max sand quantity: 185 gr/m<sup>3</sup>
- Direction of rotation: CCW facing delivery
- Max starting per hour: 15

## Materials

- Valve body and suction casing in stainless steel (AISI 304)
- NBR bearings
- Wear rings, external jackets, cable guard, suction strainer and shaft in stainless steel (AISI 304)
- Impeller and diffuser in s/s 304

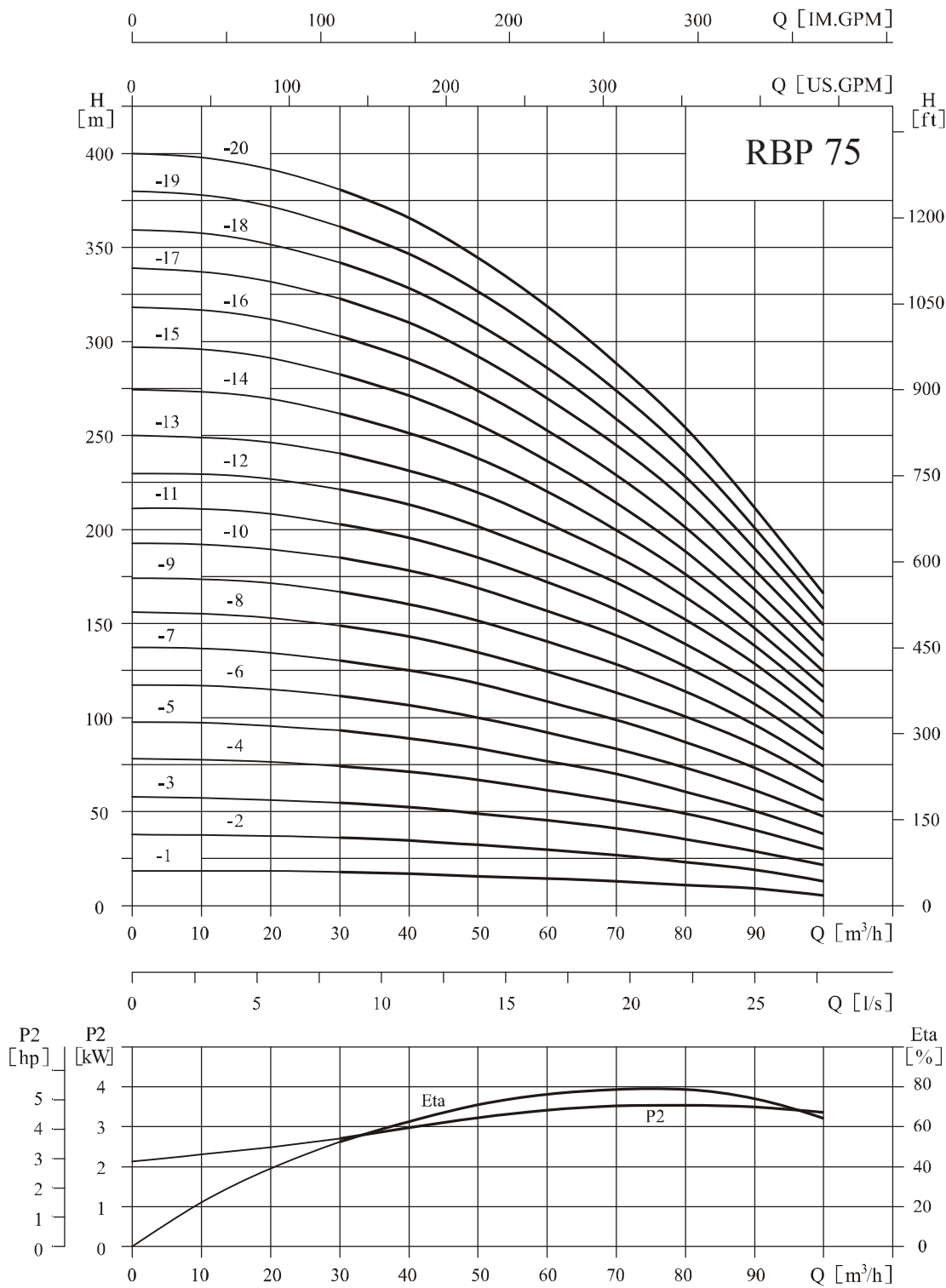


# RBP 75



## Performance curve

ISO9906 Annex A 2900rpm

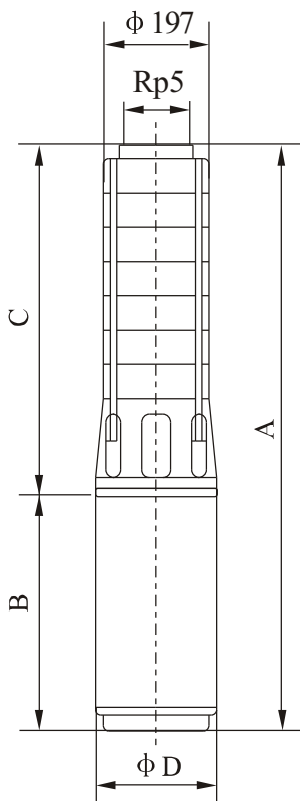




### Performance table

Model	Power (kW)	Q (m <sup>3</sup> h)	30	40	50	60	70	75	80	90	100
RBP 75-1	4	H (m)	18	17	15.5	14.5	13	12	11	9	5.5
RBP 75-2	7.5		36.5	34.5	32	30	27	25	23	19	12.5
RBP 75-3	11		54.5	52.5	49	45	41	38	35.5	29	21.5
RBP 75-4	15		73.5	71	66.5	61	55.5	52	48	40	30
RBP 75-5	18.5		92	89	83	76	70	65	60.5	51	38
RBP 75-6	22		111	107	100	91	84	79	73	62	47
RBP 75-7	30		130	125	118	107	98	93	87	73	56
RBP 75-8	30		148	143	135	124	113	107	101	85	65
RBP 75-9	37		167	161	152	140	128	121	114	96	74
RBP 75-10	37		185	178	169	157	143	135	127	107	83
RBP 75-11	45		203	196	185	172	158	148	139	118	92
RBP 75-12	45		222	214	202	188	172	162	152	129	100
RBP 75-13	55		241	232	220	204	186	175	164	139	108
RBP 75-14	55		262	251	238	220	200	188	176	149	116
RBP 75-15	55		283	271	256	236	214	201	188	159	124
RBP 75-16	63		303	291	274	253	229	215	202	169	133
RBP 75-17	63		323	310	292	270	245	229	215	179	142
RBP 75-18	75		342	329	309	286	259	243	228	190	150
RBP 75-19	75		361	347	327	302	274	257	241	201	158
RBP 75-20	75		381	366	345	318	288	271	254	212	167

### Installation sketch



### Size and weight

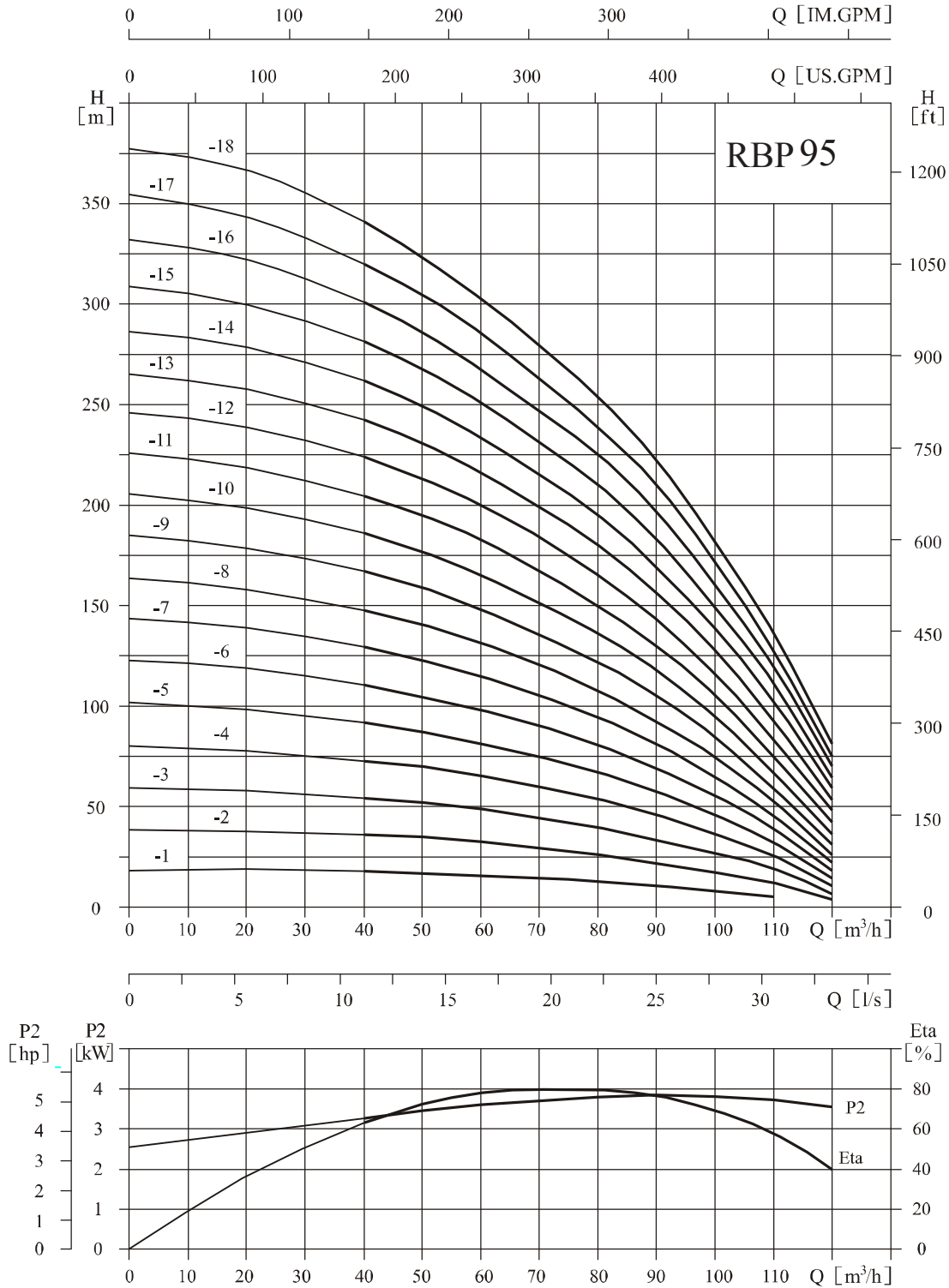
Model	Size (mm) (Coupled to 6'/8' motor)				Weight (kg)
	A	B	C	$\phi D$	
RBP 75-1	1268	780	488	143	56
RBP 75-2	1424/1411	810/780	614/631	143/184	78/97
RBP 75-3	1660/1577	920/820	740/757	143/184	92/116
RBP 75-4	1896/1743	1030/860	866/883	143/184	110/134
RBP 75-5	2082/1899	1090/890	992/1009	143/184	122/152
RBP 75-6	2278/2075	1160/940	1118/1135	143/184	141/178
RBP 75-7	2574/2311	1330/1050	1244/1261	143/184	171/211
RBP 75-8	2700/2437	1330/1050	1370/1387	143/184	176/216
RBP 75-9	3066/2663	1570/1150	1496/1513	143/184	204/233
RBP75-10	3192/2789	1570/1150	1622/1639	143/184	209/238
RBP 75-11	3005	1240	1765	184	256
RBP75-12	3131	1240	1891	184	261
RBP75-13	3387	1370	2017	184	279
RBP75-14	3513	1370	2143	184	285
RBP75-15	3639	1370	2269	184	290
RBP75-16	3885	1490	2395	192	309
RBP75-17	4011	1490	2521	192	315
RBP75-18	4187	1540	2647	192	341
RBP75-19	4313	1540	2773	192	346
RBP75-20	4439	1540	2899	192	351

Note: The size B is varied with the motors of different manufacturers.



## Performance curve

## ISO9906 Annex A 2900rpm

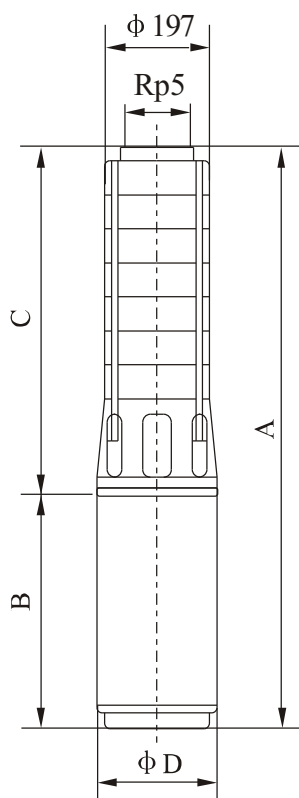




## Performance table

Model	Power (kW)	Q (m <sup>3</sup> h)	40	50	60	70	80	90	95	100	110	120
RBP95-1	4	H (m)	17.5	16.5	15.5	14	12.5	10.5	9.5	8	5	—
RBP95-2	9.2		36	34	32	28.5	26	21.5	20	17	12	3.5
RBP95-3	13		54	52	48.5	44.5	40	33	30	26	19	6
RBP95-4	18.5		72	70	65	60	54	45	41	36	25.5	10.5
RBP95-5	22		91	87	81.5	75	68	57	51.5	46	32	14.5
RBP95-6	25		110	104	98	90	81	69	62	55	38	18
RBP95-7	30		129	122	115	105	94	81	73	65	45	22
RBP95-8	37		148	141	131	120	108	93	84	75	52	26
RBP95-9	37		167	159	148	135	122	105	95	85	59	31
RBP95-10	45		186	177	165	151	136	117	106	95	67	36
RBP95-11	45		205	195	182	167	150	130	117	105	75	42
RBP95-12	55		224	213	199	183	165	143	129	116	84	48
RBP95-13	55		243	231	216	199	180	156	141	127	93	53
RBP95-14	55		262	249	233	215	195	169	153	138	102	59
RBP95-15	63		281	268	250	231	210	183	166	149	111	64
RBP95-16	63		301	286	267	247	225	197	178	160	119	70
RBP95-17	75		321	304	284	263	240	210	190	171	127	75
RBP95-18	75		342	323	302	279	255	222	202	182	135	81

## Installation sketch



## Size and weight

Model	Size (mm) (Coupled to 6'/8' motor)				Weight (kg)
	A	B	C	$\phi D$	
RBP 95-1	1268	780	488	143	57
RBP 95-2	1484/1431	870/800	614/631	143/184	83/105
RBP 95-3	1720/1617	980/860	740/757	143/184	100/129
RBP 95-4	1956/1773	1090/890	866/883	143/184	119/148
RBP 95-5	2152/1949	1160/940	992/1009	143/184	138/175
RBP 95-6	2348/2125	1230/990	1118/1135	143/184	155/188
RBP 95-7	2574/2311	1330/1050	1244/1261	143/184	174/213
RBP 95-8	2940/2537	1570/1150	1370/1387	143/184	202/231
RBP 95-9	3066/2663	1570/1150	1496/1513	143/184	208/237
RBP 95-10	2879	1240	1639	184	254
RBP 95-11	3005	1240	1765	184	260
RBP 95-12	3261	1370	1891	184	279
RBP 95-13	3387	1370	2017	184	284
RBP 95-14	3513	1370	2143	184	290
RBP 95-15	3759	1490	2269	192	310
RBP 95-16	3885	1490	2395	192	316
RBP 95-17	4061	1540	2521	192	342
RBP 95-18	4187	1540	2647	192	348

Note: The size B is varied with the motors of different manufacturers.