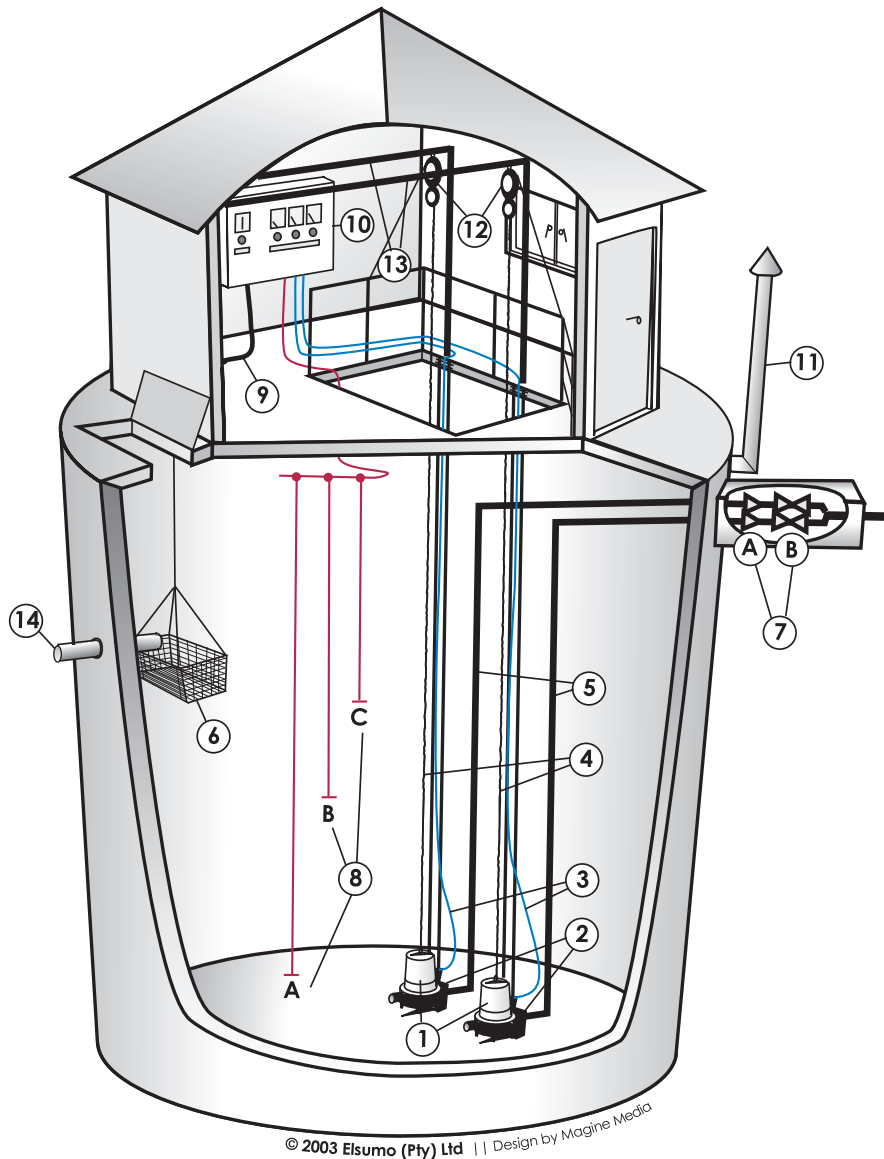


## TYPICAL SEWAGE INSTALLATION



1. Alma submersible vortex pump
2. Suspension device
3. Power supply cable to the pump
4. Guide rail
5. Discharge pipeline in SS 304
6. Collecting basket manufactured in SS 304
7. A.) Magma ball type non-return valve  
B.) CI isolating valve

8. A.) Low level control - pump stop  
B.) Start pump no.1  
C.) Start pump no. 2 - emergency indication
9. Power supply from grid
10. motor control centre
11. Vent pipe
12. Lifting hoist
13. Overhead crane / I-beam
14. Inlet pipe